

WTP/WSP Price Computing Scales

General Specifications

- | | |
|--------------------|---|
| • Display | 15mm digit LCD display, with white LED backlight |
| • Capacities | 3kg~30kg |
| • Pan size | 204 x263mm |
| • Keyboard | 20keys (Membrane keyboard) |
| • Housing | ABS plastic |
| • Max. Divisions | 3,000e; 2 x 3,000e |
| • ADC update | ≤1/10 second |
| • Operate Temp | -10°C~+40°C |
| • Power | AC adapter (12V/500mA),built-in rechargeable battery (6V/3.2Ah) |
| • WTP Gross weight | 4.1kg |
| • WSP Gross weight | 4.5kg |



Pan 1



Pan 1



WTP



WSP

- Standard stainless pan ,Optional 2 pan
- 10 indirect PLU
- Accumulation, Weighing unit conversion and Change function
- Auto unit price clear
- Pole display (WSP) moded selectable
- Standard RS-232 interface can connect to computer, ECR or printer
- Optional initial-verification
- Battery provide up to 60 hours of continuous use (without backlight)
- OIML approval from Delta (approval no.DK 0199.555)

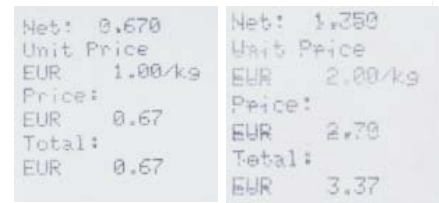
WTP/WSP Price Computing Scales

Model Name	Capacity	Readability	Division	Approx. weight	Approval
WTP-3K-M	3kg	1g	3,000e	4.1kg	CE, OIML
WTP-6K-M	6kg	2g	3,000e	4.1kg	CE, OIML
WTP-15K-M	15kg	5g	3,000e	4.1kg	CE, OIML
WTP-30K-M	30kg	10g	3,000e	4.1kg	CE, OIML
WTP-6K-MR	3/6kg	1g/2g	2x3,000e	4.1kg	CE, OIML
WTP-15K-MR	6/15kg	2g/5g	2x3,000e	4.1kg	CE, OIML
WTP-30K-MR	15/30kg	5g/10g	2x3,000e	4.1kg	CE, OIML
WSP-3K-M	3kg	1g	3,000e	4.5kg	CE, OIML
WSP-6K-M	6kg	2g	3,000e	4.5kg	CE, OIML
WSP-15K-M	15kg	5g	3,000e	4.5kg	CE, OIML
WSP-30K-M	30kg	10g	3,000e	4.5kg	CE, OIML
WSP-6K-MR	3/6kg	1g/2g	2x3,000e	4.5kg	CE, OIML
WSP-15K-MR	6/15kg	2g/5g	2x3,000e	4.5kg	CE, OIML
WSP-30K-MR	15/30kg	5g/10g	2x3,000e	4.5kg	CE, OIML

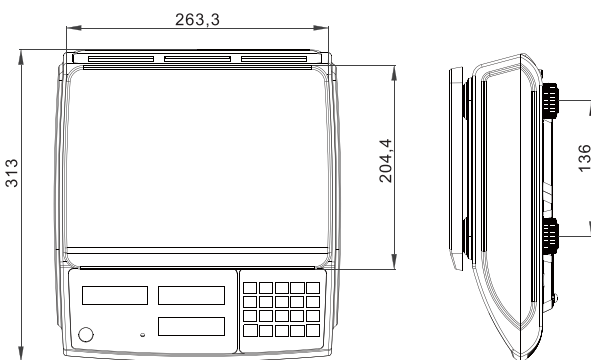
Options



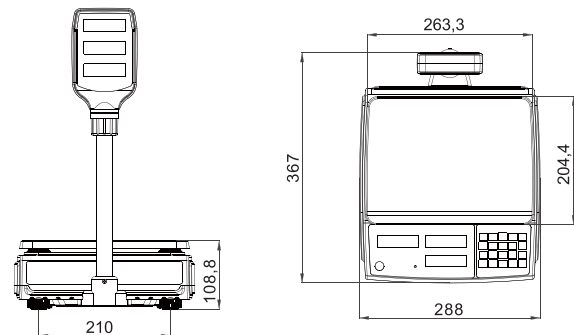
Print formats



Dimensions(mm)



WTP



WSP